

8.16 T2000-A03/-A04/-A16 Remote Loom Kits

The T2000-A03 6m remote loom and T2000-A04 4m remote loom installation kits are for use with T2020, T2040 and T2050 radios in situations where the 3m remote loom or underdash mounting is unsuitable.

The T2000-A16 6m shielded remote loom is suitable for use with EMC model radios, and for installations where electromagnetic radiation may cause problems with sensitive equipment installed nearby or interference to the radio's own antenna.

Once installed, the loom should not be subjected to any pinching, crushing or chafing, nor should it interfere with the operation of the vehicle controls.

Note: These instructions must be read in conjunction with Section 3.1 "Servicing Precautions" and Section 3.2 "Disassembly Instructions".

The following topics are covered in this Section:

Section	Title	Page
8.16.1	Components Required	8.13.2
8.16.2	Fitting To Locally Mounted Radios	8.13.2
8.16.3	Fitting To Remote Mounted Radios	8.13.6

8.16.1 Components Required

The T2000 remote loom kits contain the following components:

Quantity	Description
1	remote loom, complete with 8 way connectors
1	remote mounting bracket
1	remote back panel
1	dummy front panel
2	remoting connector cover (fitted to the remote back panel & dummy front panel)
2	M4 pressed captive nut (for remote control head assembly)
2	thumbscrew (for remote mounting bracket)
4	ESD plug (to fit over remote back panel screw heads: T2000-A16 only)
2	No 6x3/4 self-tapping screw (for remote mounting bracket)
4	No 4x 3/8 pan Pozi Plastite screw (dummy front panel mounting)
2	M3x6 pan Pozi Taptite screw (connector PCB mounting)
4	M3x8 pan Pozi Taptite screw (EMC filter PCB mounting)
1	EMC filter PCB (Series II radio chassis)
1	connector PCB (Series I radio chassis)

8.16.2 Fitting To Locally Mounted Radios

- Remove the top cover of the radio by unscrewing the 4 bottom cover screws.

Remove the 3 logic PCB retaining screws and fold back the logic PCB. If necessary, remove the 3 option PCB mounting screws before lifting the logic PCB.

Remove the microprocessor shield retaining screws and the screw securing the control head ground lead, then remove the microprocessor shield.

Remove the bottom cover of the radio and unplug the loom running between the control head and the logic PCB (on EMC model radios, the loom runs between the control head and the EMC filter PCB).

The control head can now be detached from the chassis.

Remove the 4 adaptor plate retaining screws from the control head and remove the adaptor plate from the back of the control head.
- Refer to Figure 8.16.1.

Unclip the remote back panel remoting connector cover (3).

Pass one end of the remote loom through the connector cover hole and plug onto the 8 way connector (6) on the top side of the control head PCB.

T2000-A03 & T2000-A04 kits: Remove the ground lead from under one of the control head PCB screws, and discard the ground lead.

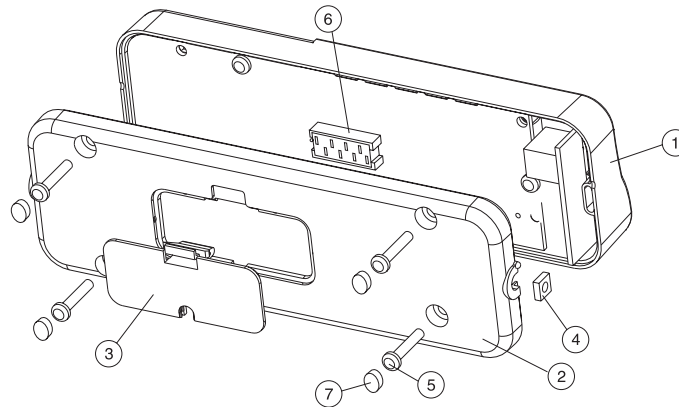
T2000-A16 kit: Remove the screw from the control head that secures the control head ground lead. Discard the ground lead, and use this screw to secure the remote loom drain wire solder tag to the control head PCB.

Note: Ensure that the tag does not make contact with any devices in the control head.

- 3 Fit the 2 captive M4 nuts (4) into the slots on the remote back panel (2), and mount the remote back panel onto the control head front assembly (1).

Secure in place using the 4 No. 4x5/8 Plastite screws previously used for the adaptor plate, and push the 4 ESD plugs (7) over the screw heads (T2000-A16 only).

Refit the remoting connector cover, pushing the slot in the cover onto the remote loom cable.



Item	Description	IPN	Quantity	Torque (in.lb)
1	CONTROL HEAD FRONT ASSEMBLY		1	
2	REMOTE BACK PANEL	316-06432-XX	1	
3	REMOTING CONNECTOR COVER	316-85125-XX	1	
4	CAPTIVE NUT M4 PRESSED	352-00010-17	2	
5	NO 4X5/8 SCREW (REMOTE BACK PANEL SCREWS)	349-00010-24	4	8 (0.9Nm)
6	MICROMATCH CONNECTOR 8 WAY	240-04020-50	1	
7	ESD PLUG (OVER REMOTE BACK PANEL SCREWS)	360-01057-00	4	

Figure 8.16.1 Remote Control Head Assembly

4 T2000 Series I chassis

Refer to Figure 8.16.2.

Mount the adaptor plate (2) onto the chassis and secure the connector PCB to the 2 chassis pillars, using the 2 M3x6 Taptite screws provided.

As the pillars are not threaded, care must be taken that the screws are not inserted at an angle.

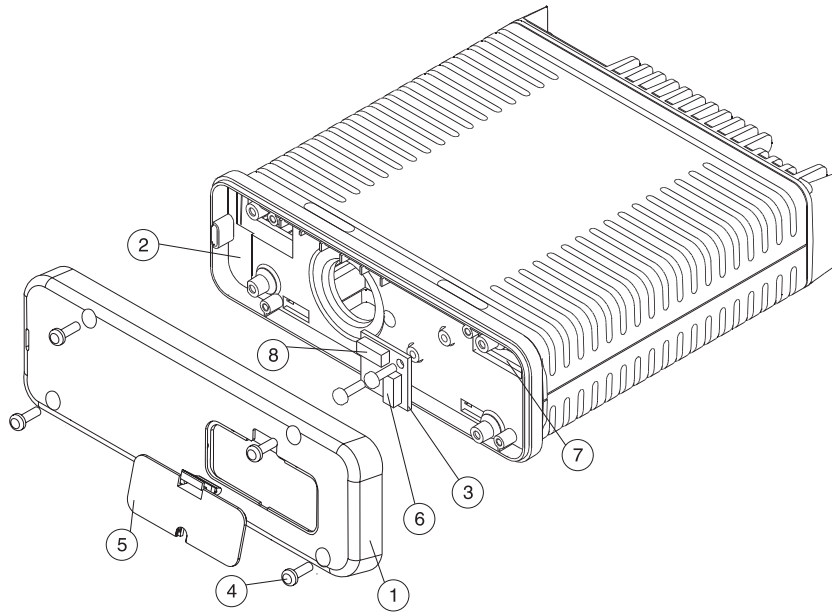
Pass the logic PCB loom through the slot in the adaptor plate and chassis (7) and plug the loom onto one of the 8 way connectors (8) on the connector PCB.

Unclip the remoting connector cover (5) from the dummy front panel and pass the unconnected end of the remote loom through the hole in the dummy head front panel.

Plug the 8 way remote loom connector onto the 8 way connector (6) on the connector PCB.

T2000-A16 kit: Secure the remote loom drain wire solder tag under one of the connector PCB screws.

Mount the dummy front panel (1) onto the adaptor plate (2), using the No 4x3/8 Plastite screws (4) provided.



Item	Description	IPN	Quantity	Torque (in.lb)
1	DUMMY FRONT PANEL	316-06433-XX	1	
2	ADAPTOR PLATE (T2000 SERIES I)	301-00001-XX	1	
3	CONNECTOR PCB	220-01274-XX	1	
4	NO 4X3/8 SCREW (DUMMY FRONT PANEL SCREWS)	349-00010-22	4	8 (0.9Nm)
5	REMOTING CONNECTOR COVER	316-85125-XX	1	
6	8 WAY CONNECTOR PCB SOCKET (FOR REMOTE LOOM)	240-04020-50	1	
7	SLOTS IN ADAPTOR PLATE & CHASSIS FOR LOGIC PCB LOOM			
8	8 WAY CONNECTOR PCB SOCKET (FOR LOOM TO LOGIC PCB)	240-04020-50	1	

Figure 8.16.2 Connector PCB Mounting

5 T2000 Series II Chassis

Refer to Figures 8.16.3 and 8.16.4.

Fit the EMC filter PCB (18) provided in the kit to the chassis, first passing the loom on the bottom side of the PCB through the chassis hole, as shown.

Secure the EMC filter PCB in place, using the 4 M3x8 Taptite screws.

Note: EMC model radios will already have an EMC filter PCB fitted. Check that the top side connector (SKT-1) is 8 way. If not, discard the existing filter PCB and fit the new PCB provided.

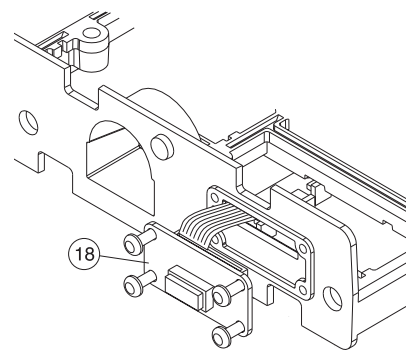


Figure 8.16.3 EMC Filter PCB Mounting

Plug the EMC filter PCB loom onto the logic PCB.

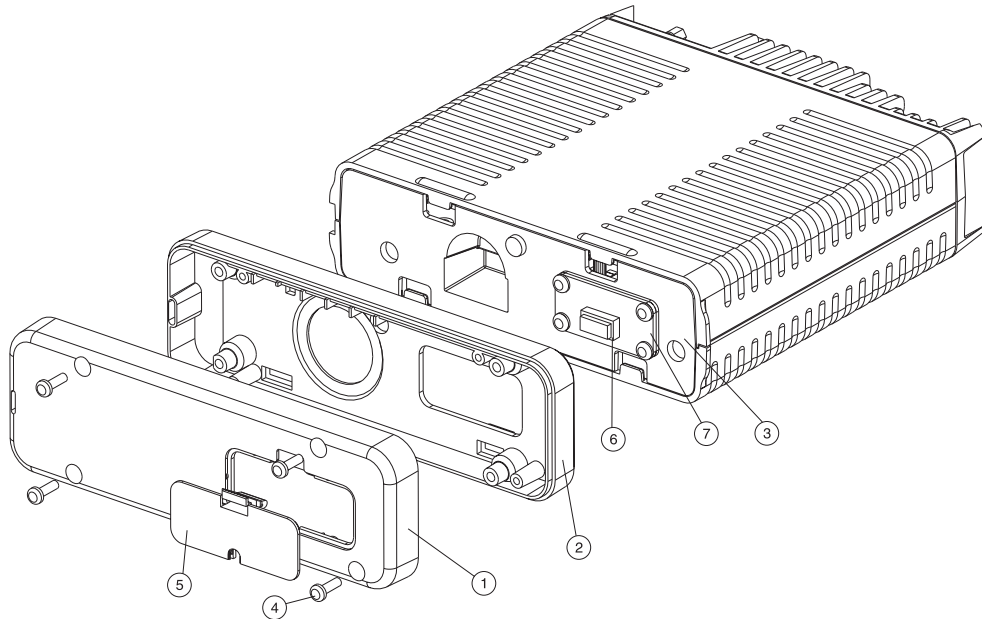
Unclip the remoting connector cover (5) from the dummy front panel (1), and pass the unconnected end of the remote loom through the holes in the dummy front panel and the adaptor plate (2).

Plug the 8 way loom connector onto the 8 way connector (6) on the top side of the EMC filter PCB.

T2000-A16 kit: Secure the remote loom drain wire solder tag under one of the EMC filter PCB screws.

Mount the dummy head front panel (1) onto the adaptor plate (2), using the 4 No 4x3/8 Plastite screws (4) provided.

Mount the dummy front panel assembly onto the chassis.



Item	Description	IPN	Quantity	Torque (in.lb)
1	DUMMY FRONT PANEL	316-06433-XX	1	
2	ADAPTOR PLATE	301-00001-XX	1	
3	MAIN CHASSIS ASSEMBLY		1	
4	NO 4X3/8 SCREW (DUMMY FRONT PANEL SCREWS)	349-00010-22	4	8 (0.9Nm)
5	REMOVING CONNECTOR COVER	316-85125-XX	1	
6	8 WAY EMC FILTER PCB SOCKET	240-04020-50	1	
7	EMC FILTER PCB	220-01383-XX	1	

Figure 8.16.4 Dummy Front Panel Assembly

- 6** Reposition the bottom cover of the radio and the microprocessor shield and replace the microprocessor shield retaining screws, tightening them to a torque of 12in.lb (1.4Nm).

Refit the logic PCB, any options PCBs that were fitted and the top cover. Tighten the top cover to a torque of 15in.lb (1.8Nm).

Refit the remoting connector cover, pushing the slot in the cover onto the remote loom cable.

- 7** Mount the remote mounting bracket in the desired position (this must be on a flat surface), using the 2 No 6x3/4 self-tapping screws.

Place the control head in the bracket, positioned for a good viewing angle, and secure in place with the 2 thumbscrews.

8.16.3 Fitting To Remote Mounted Radios

- 1 Refer to Figures 8.16.2, 8.16.3 & 8.16.4.

Remove the radio dummy front panel (1) by removing the 4 dummy front panel screws (4).

Note: In later T2000 radios, the radio dummy front panel is fitted with a remoting connector cover (3). This is unclipped to access the remote loom connector. When fitting a remote loom, it is therefore unnecessary to remove the dummy front panel.

Unplug the old remote loom from the connector PCB (Series I chassis) or EMC filter PCB (Series II chassis).

Series II chassis: Check that the top side connector (SKT-1) on the EMC filter PCB is 8 way. If not, discard the existing filter PCB and fit the new PCB provided in the kit (refer to Section 8.16.2, "Fitting To Locally Mounted Radios", step (5)).

If necessary, replace the old dummy front panel with the new dummy front panel, complete with remoting connector cover, provided in the kit.

Pass the new remote loom through the connector cover hole in the dummy front panel, and plug the 8 way remote loom connector onto the 8 way connector (6) on the connector PCB or EMC filter PCB.

T2000-A16: Fit the remote loom drain wire solder tag under one of the connector PCB or EMC filter PCB screws.

Mount the dummy front panel onto the adaptor plate (2), and secure in place using the 4 dummy front panel screws.

Refit the remoting connector cover, pushing the slot in the cover onto the remote loom cable.

- 2 Refer to Figure 8.16.1.

Remove the control head remote back panel (2) by removing the 4 remote back panel screws (5), taking care not to loose the captive nuts (4). EMC model radios will also have ESD plugs (7) over the remote back panel screws.

Note: In later T2000 radios, the control head remote back panel is fitted with a remoting connector cover (3). This is unclipped to access the remote loom connector. When fitting a remote loom, it is therefore unnecessary to remove the remote back panel.

Unplug the old remote loom from the 8 way connector on the control head PCB (6).

If necessary, replace the old remote back panel with the new remote back panel, complete with remoting connector cover, provided in the kit.

Pass the new remote loom through the connector cover hole in the remote back panel, and plug the 8 way connector on the new remote loom onto the 8 way connector on the control head PCB.

T2000-A16: Fit the remote loom drain wire solder tag under one of the control head PCB screws.

Note: Ensure that the solder tag does not make contact with any devices in the control head.

Fit the 2 captive M4 nuts into the slots in the remote back panel and mount the remote back panel onto the control head front assembly (1).

Secure in place using the 4 remote back panel screws, and push the 4 ESD plugs (7) over the screw heads (T2000-A16 only).

Refit the remoting connector cover, pushing the slot in the cover onto the remote loom cable.

